

TOC-625 MICRO SERIES GAS DETECTION SYSTEM



TOC-625 is a multi-channel detector controller in an easily installed and implemented small format package. The system can be used with the Tocsin Addressable range of detectors or I/O modules listed in the auto setup table.

625 Micro has a unique Auto Setup Function.

Setup Wizard at Startup

TOC-625 Automatically Finds Connected Devices

Detected Devices are Automatically Installed

Alarm Levels and Outputs are Automatically Set

The control panel should be located outside the area where the detectors are located so that it is not necessary to enter to the area with a gas alarm to reset or check the controller.

For detector locations refer to IGD document BS023 Siting Gas Detectors. This is available from the downloads area of our website.

Detectors are supplied pre-calibrated. If it is required to check or demonstrate operation, test gas kits are available from IGD

Auto Setup Table 1

Note Alarms Levels and Types Are Fixed and Cannot be Adjusted

Gas / Outputs	Range	Type	Alarm 1 / Relay 1	Alarm 2 / Relay 2
Flammables	0-100% LEL	Rising - Latching	10% LEL	20% LEL
Carbon Monoxide	0-100ppm	Rising - Latching	20ppm	55ppm
Carbon Dioxide	0-5000ppm	Rising - Latching	3500ppm	4500ppm
Carbon Dioxide	0-5%	Rising - Latching	0.5%	1.5%
Chlorine	0-5ppm	Rising - Latching	0.2ppm	0.5ppm
Oxygen	0-25%	Falling - Latching	19.5%	18.5%
Hydrogen Sulphide	0-50ppm	Rising - Latching	5ppm	10ppm

Relay 1 and Relay 2 on the TOC-625-Micro are set to be normally energised, de-energising on alarm or power failure.

The TOC-625-Micro can FIND up to 10 devices. These can be any mix of gas detectors and up to 2 output nodes

The TOC-625-Micro can FIND up to 4 addressable relays on 2 output nodes. Relay nodes supplied with TOC-625-Micro need to be addressed as follows and will operate according to the following table.

Relays Active on First Alarm	Output Node 1		Output Node 2	
	Relay 1	Relay 2 Mutable	Relay 1	Relay 2 Mutable
Node Relay Address	4201	4202	4203	4204

Note that mutable relays re-energise on second alarm.



Triton House
Crosby Street
Stockport
SK2 6SH
England

Tel: +44 (0)161 483 1415
Fax: +44 (0) 161 484 2345
Email: sales@internationalgasdetectors.com
Website: www.internationalgasdetectors.com



FS646773

EMS696504

REF: T625 M v4

Electrical Details Figure 1 24V DC Operation

Electrical Power: 18-28V DC	Electrical Load:	TOC-625 Micro Controller in Alarm State 0.3A @ 24 V DC
		TOC-30 Series Addressable Gas Detector 0.1A @ 24 V DC
		TOC-30 Series Relay Node Activated 0.2A @ 24 V DC

Power Requirements For 8 Detectors and 2 Nodes From Above Table = 1.5A

Important Note:

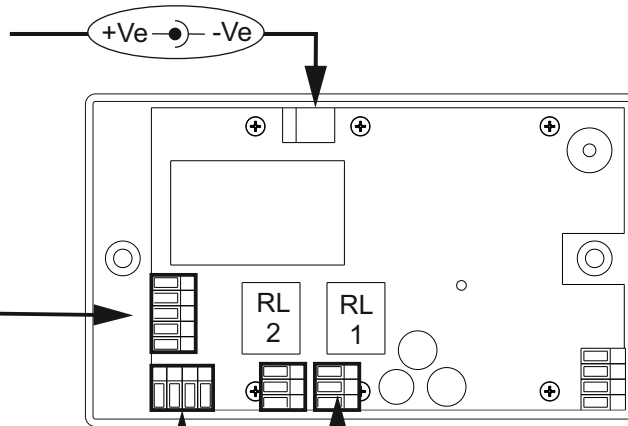
If you are using a floating output DC supply that does not have a grounded output then with the case open high voltages could be present. Power down equipment before opening the housing and ensure installation is by a competent person.

Rear View Front View Cover Open TOC-625 Micro

Note System can also be powered via 3.5mm Jack Plug Mounted on the PCB

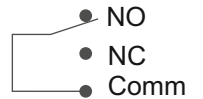
Power Connection Detail

+24V DC
0V DC
NC
NC
NC



Relay Action

Relays Energised



Relays De-Energised



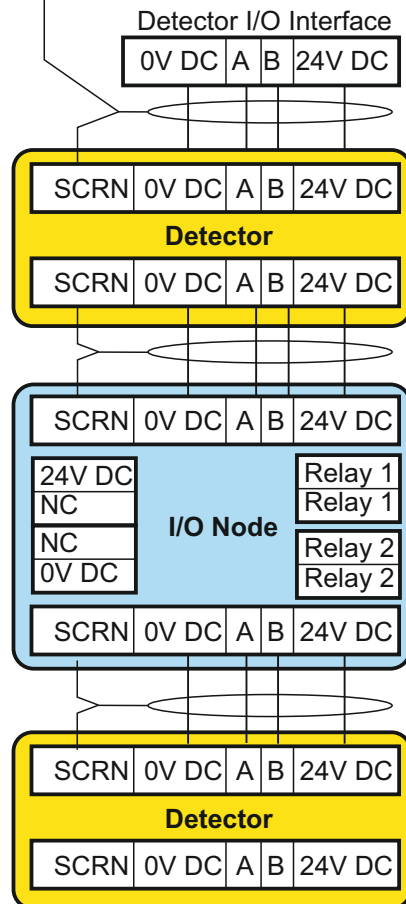
Connections common to each of the two relay outputs. Note relays are normally energised for fail safe operation in service. Diagram shows de-energised state. Relays are 4A Non Inductive @ 24V DC

Cable screens to detectors or relay nodes **MUST** be earthed at a single point

Connect to detectors and nodes using 4 core 1.5mmSQ CY style cable or FP200 style cable as appropriate. Cable screens should be terminated as indicated

Connect up to 8 addressable devices. These can be Gas Detectors or Output Relay Nodes

Note that Nodes have a 24V DC connections fused at 100mA. Typically these can be used to supply power for LED type beacon sounders.

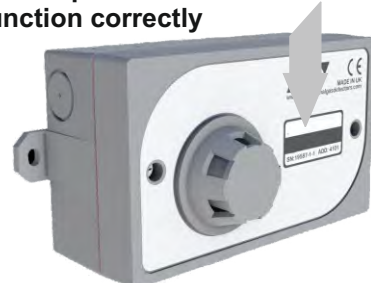


There can be up to 8 Gas detectors on the system, these can be any mix of gas detector types on the highway. For example Flammable Gas Detectors, Carbon Monoxide, Oxygen etc. This example shows 2

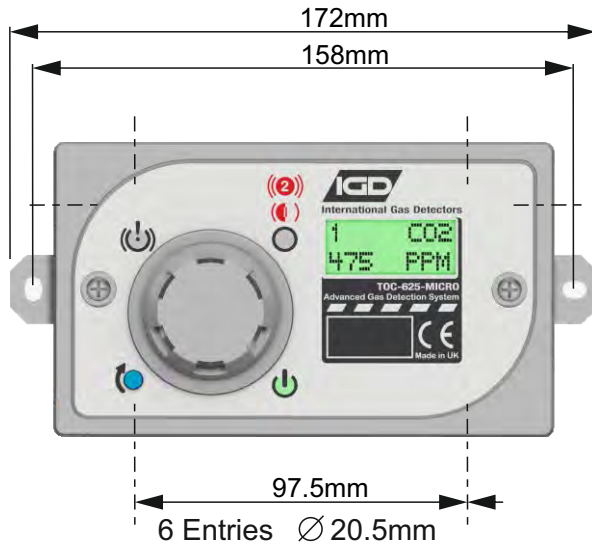
There can be up to 2 Addressable Relay Nodes on a system. These provide 2 single pole relays and if fitted then when the FIND function is run they will set up to the table on page 1

NOTE

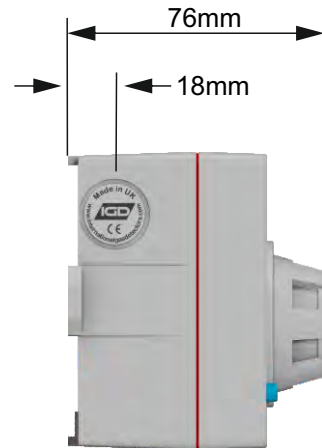
Detectors and Nodes **MUST** have unique addresses. These will be indicated on the cover on the detector or node. Detectors or Nodes with duplicate addresses will not function correctly



Front View



Side View



Temp Rating -5 to To 55 Deg C
 Humidity Rating 0-95% RH Non-Condensing
 Sealing IP54

Detector Order Codes

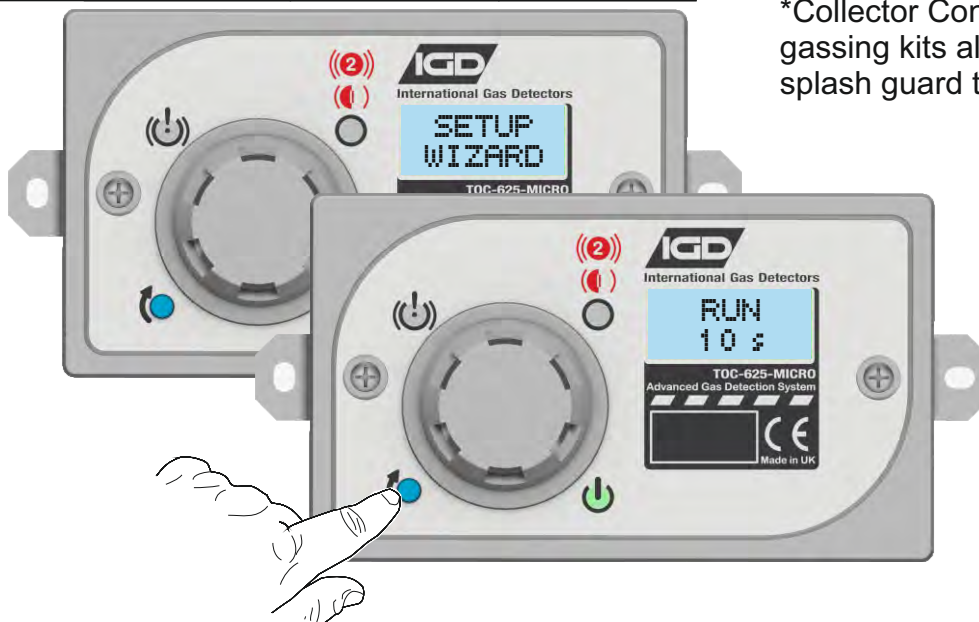
Gas	Standard Range	Order Code	Typical Cell Life
Flammable Gases	0-100% LEL	TOC-30P-PHC	>3 Years
Carbon Monoxide	0-100ppm	TOC-30P-CO	>5 Years
Oxygen	0-30% Vol	TOC-30P-O2	>5 Years
Chlorine	0-20ppm	TOC-30P-CL2	>2 Years
Carbon Dioxide	0-5%	TOC-30P-CO2	>5 Years
Carbon Dioxide	0-5000ppm	TOC-30P-LCO2	>5 Years
Hydrogen Sulphide	0-50ppm	TOC-30A-H2S	>3 Years

Accessory Order Codes

Gas Collector Cone*	5210101
Remote Gassing Kit*	5110150
Cal Gas Adaptor	5925701
Splashguard	TOC-30-GD
Beacon Sounder With Signage	5083701
5A PSU With Battery Backup 110/230V AC	TOC-PSU-B
2.5A 24V DC PSU 110/230V AC	TOC-PSU

*Collector Cones and remote gassing kits also require the splash guard to be fitted

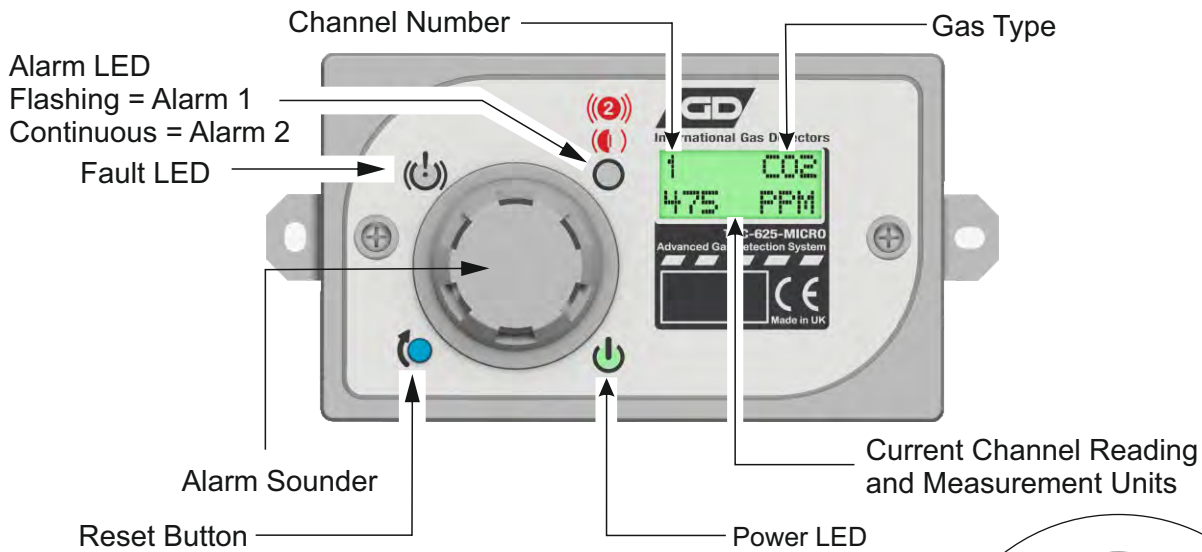
Start up



After the start up cycle the Setup Wizard is displayed and RUN option will be available for 10 seconds. Press the button during this period and the TOC-625 Micro will search for connected detectors and relay nodes. Based on the devices found the controller will set itself up based on table 1. No operator intervention is required. Gas channels will be automatically configured based on the devices found. Need to add or remove a detector or node? Just make the physical changes and select the RUN option again on power up

User Actions....Day to Day Operation

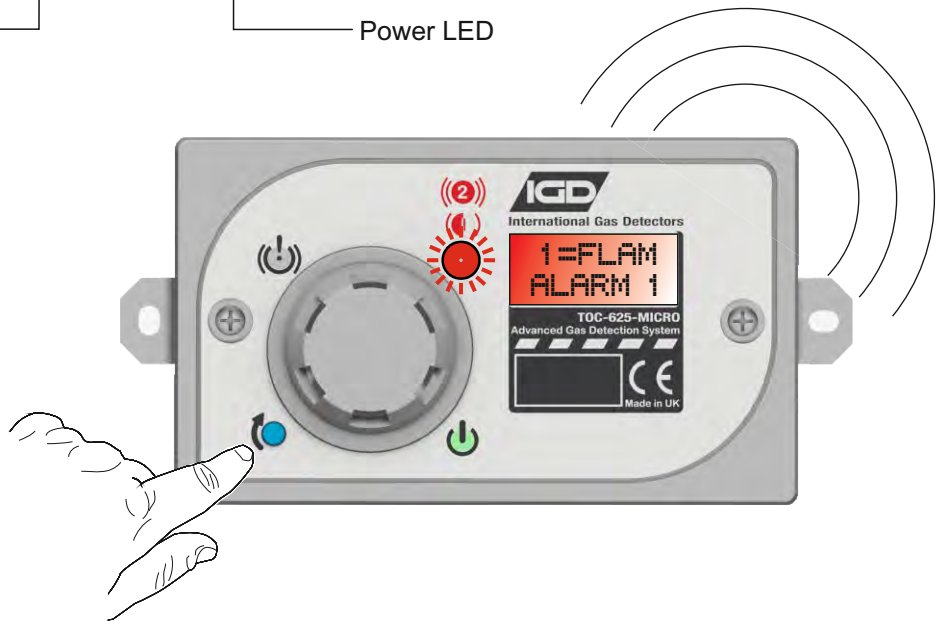
Once fully installed the TOC-625 controller will continuously monitor connected gas detectors and sensors and compare current values with any set alarm thresholds. The display will cycle to display each channel in turn.



In Alarm Condition

In alarm mode the RED alarm led will either be flashing for alarm level 1 or solid for alarm level 2. The bottom line of the display will indicate:

- Alarm 1
- Alarm 2
- Alarm 1&2



The back light will flash red and the display will indicate which alarm level and which channel is in alarm. The sounder will also activate. Pressing the button will silence the sounder and mute the relay nodes if connected as indicated in table 1. If the gas is still breaching the alarm threshold it will not be possible to reset the alarm

In Fault Condition

In FAULT mode the Yellow fault led will be on. The bottom line of the display will indicate as follows:

- FLT COM communication error to sensors
- FLT SEN Sensor Error
- FLT OVR Sensor Over Range
- FLT UND Sensor Under Range



Triton House
Crosby Street
Stockport
SK2 6SH
England

Tel: +44 (0)161 483 1415
Fax: +44 (0) 161 484 2345
Email: sales@internationalgasdetectors.com
Website: www.internationalgasdetectors.com



FS646773

EMS696504